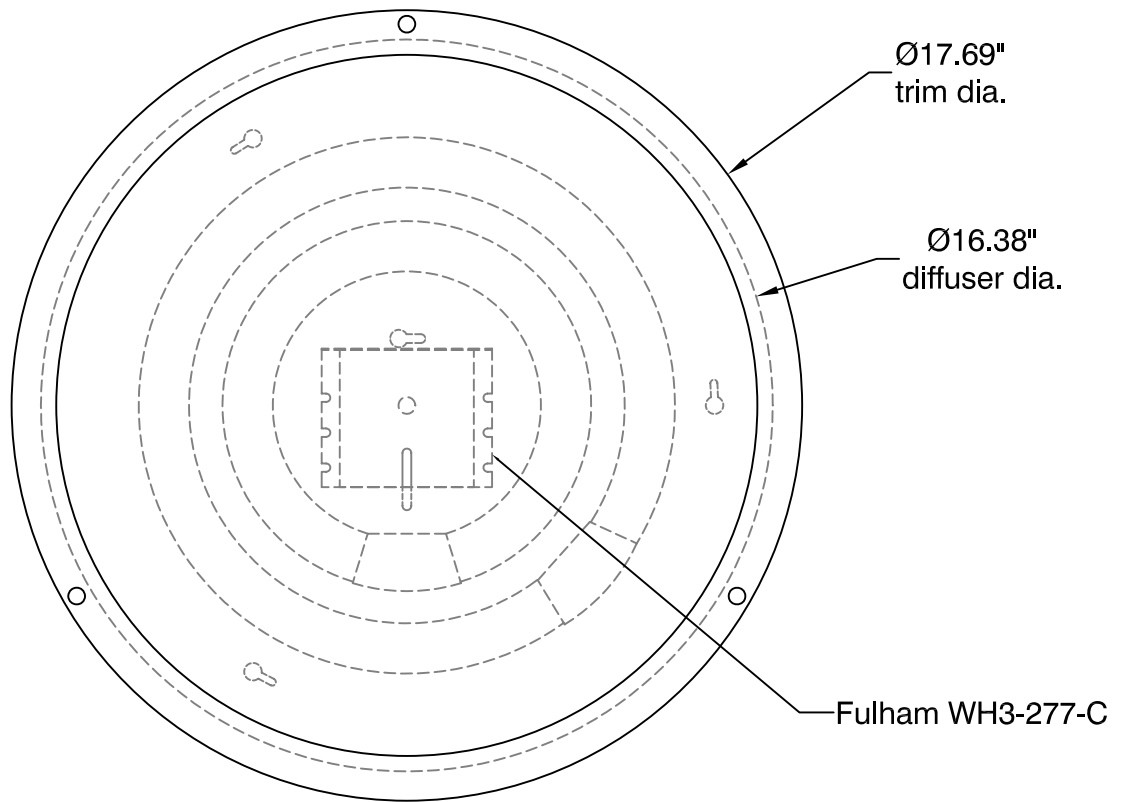


SIDE VIEW



BOTTOM VIEW

ORACLE ceiling mount
Oxygen **CDX-638**

OXYGEN LIGHTING ©

METAL FINISHES

o polished chrome

DIFFUSERS

o 1/16" white acrylic

LAMPING

o 1 x 22W Circline T9 +
1 x 32W Circline T9
fluorescent

VOLTAGE

o 277V

DIMENSIONS

o 17.69"Ø x
4.25" (h)

INSTALLATION

o 4" octagonal "J"- Box
o UL listed

BALLAST

o electronic, HPF instant start

oxygen

OXYGEN LIGHTING SUITE 900
580 BROADWAY, NEW YORK, NY 10012
TEL. (877) 607-0202 FAX (877) 607-0203

PROJECT: _____

DATE: _____