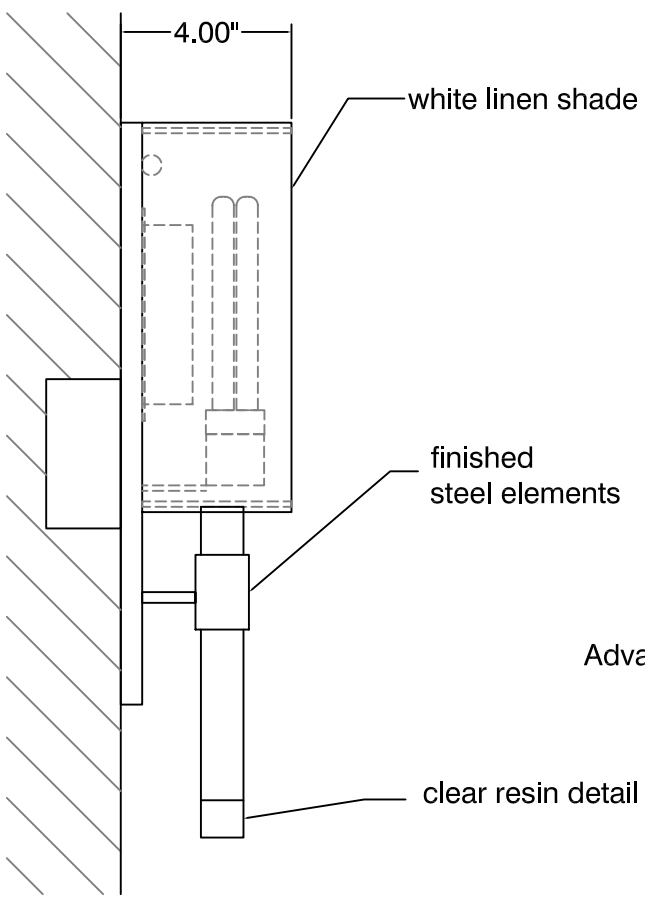
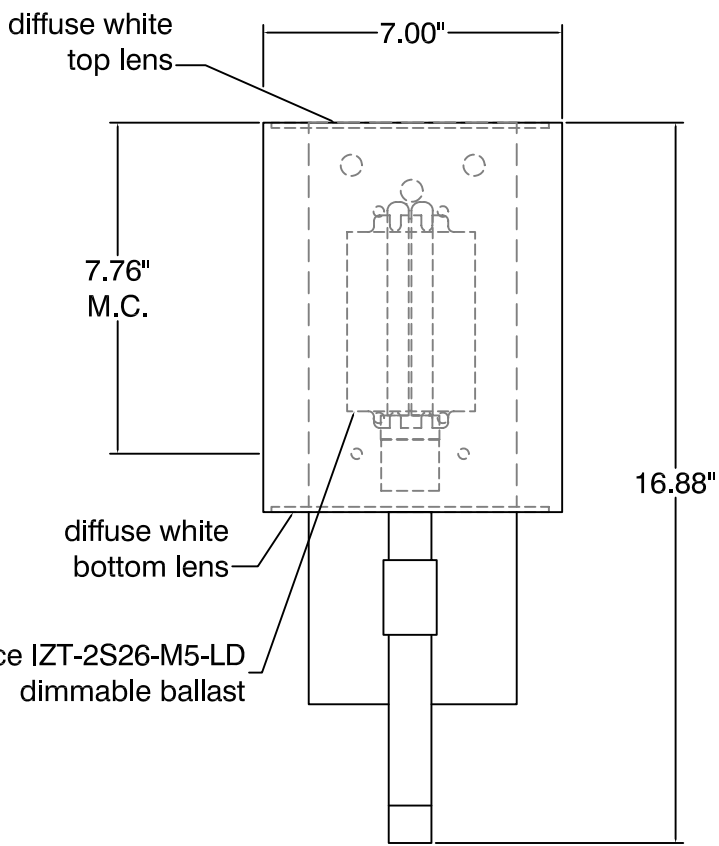


TOP VIEW



SIDE VIEW



FRONT VIEW

**BEACON wall sconce
oxygen CDX-618**

OXYGEN LIGHTING ©

<u>METAL FINISHES</u>	<u>DIFFUSERS</u>	<u>LAMPING</u>	<u>VOLTAGE</u>	<u>DIMENSIONS</u>	<u>INSTALLATION</u>
o satin nickel	o white cotton fabric	o 1-26W quad compact fluorescent (G24q-3)	o 120/277 V	o 7" (w) x 12.13" (h) 4" ext.	o 4" octagonal "J"- Box o UL Listed o ADA
		<u>BALLAST</u> o Advance IZT-2S26-M5-LD 0-10V dimmable ballast, universal voltage			

OXYGEN

OXYGEN LIGHTING SUITE 900
580 BROADWAY, NEW YORK, NY 10012
TEL. (212) 219-2333 FAX (212) 219-0639

PROJECT: _____
DATE: _____