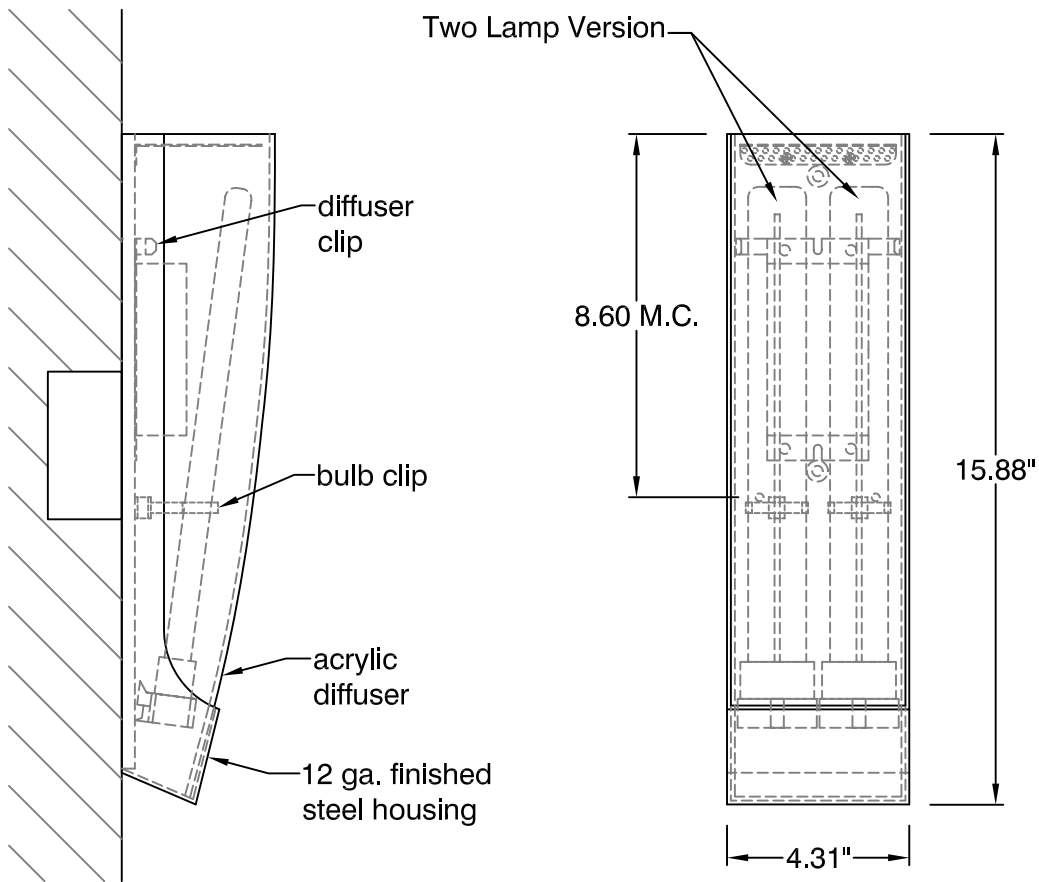


TOP VIEW



SIDE VIEW

FRONT VIEW

**APOLLO wall lantern
oxygen CDX-599**

METAL FINISHES

- o satin brass

DIFFUSERS

- o white acrylic

LAMPING

- o 2-24W long twin tube compact fluorescents

BALLAST

- o universal voltage electronic, HPF programmed start

VOLTAGE

- o 120/277V universal voltage

DIMENSIONS

- o 4.31" (w) x 15.88" (h) 3.62" ext. from wall

INSTALLATION

- o 4" octagonal "J"- Box
- o UL Listed
- o ADA

oxygen

OXYGEN LIGHTING SUITE 900
580 BROADWAY, NEW YORK, NY 10012
TEL. (877) 607-0202 FAX (877) 607-0203

PROJECT: _____

DATE: _____