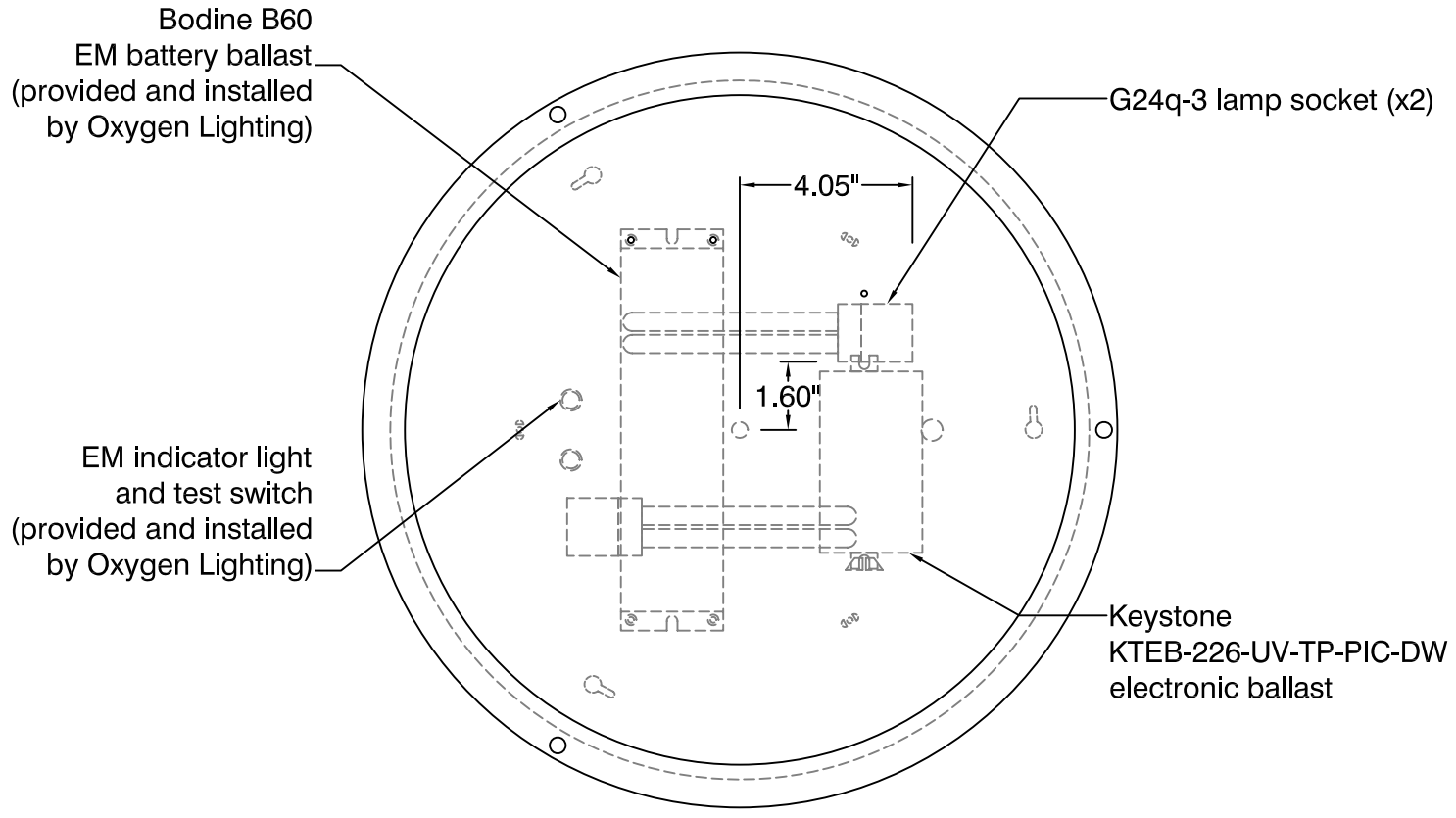


SIDE VIEW



BOTTOM VIEW

ORACLE ceiling mount
oxygen **CDX-579B**

OXYGEN LIGHTING ©

<u>METAL FINISHES</u>	<u>DIFFUSERS</u>	<u>LAMPING</u>	<u>VOLTAGE</u>	<u>DIMENSIONS</u>	<u>INSTALLATION</u>
o satin nickel	o white acrylic	o 2-26W quad 4-pin fluorescent	o 120/277V	o 17.69" diameter x 5.56" (h)	o 4" octagonal "J"- Box o UL Listed
	<u>CONSTRUCTION</u>	<u>BALLAST</u>			
	o formed steel trim o steel back plate	o universal voltage, electronic HPF, rapid start			

OXYGEN

OXYGEN LIGHTING SUITE 900
580 BROADWAY, NEW YORK, NY 10012
TEL. (212) 219-2333 FAX (212) 219-0639

PROJECT: _____
DATE: _____