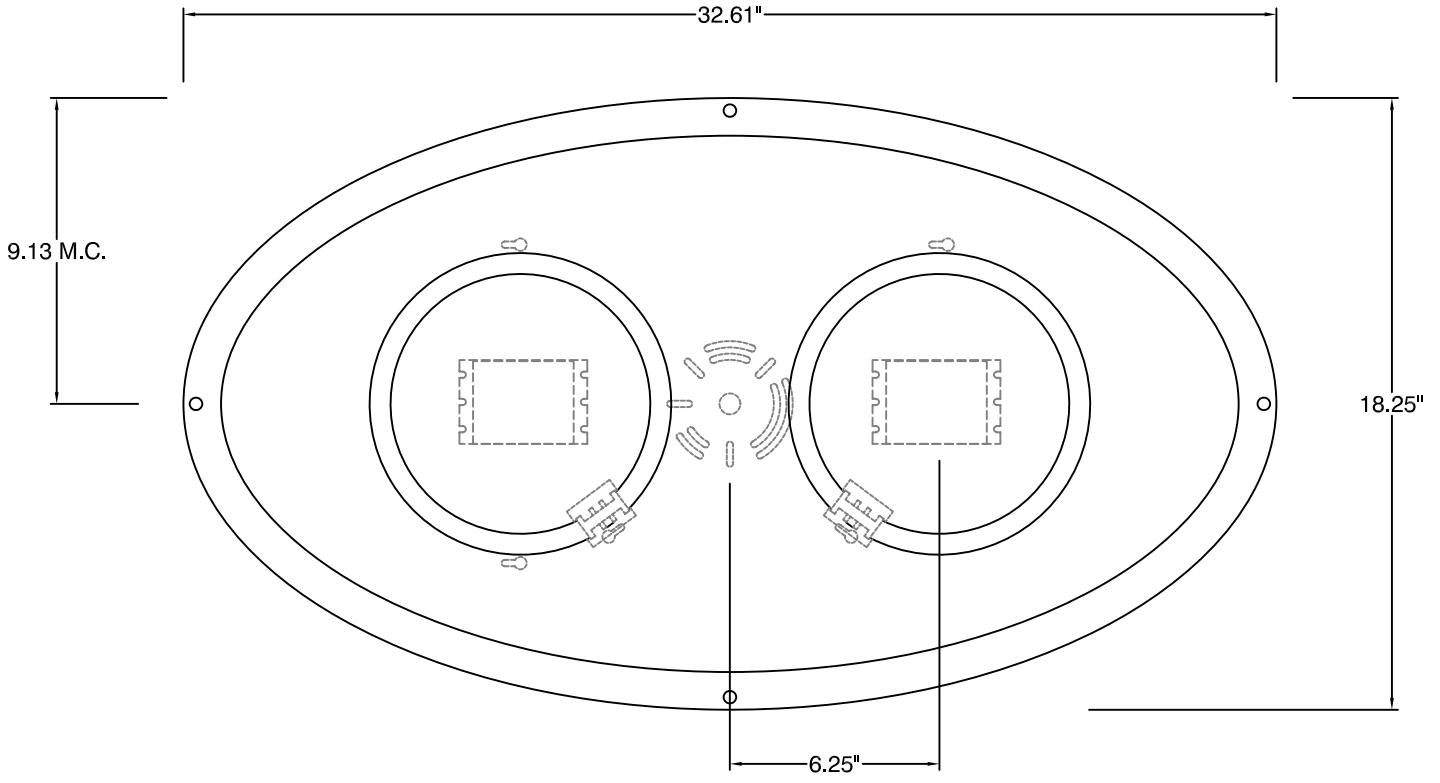


SIDE VIEW



BOTTOM VIEW

ORACLE ceiling mount
oxygen **CDX-575B**

OXYGEN LIGHTING ©

METAL FINISHES

- o 24 - satin nickel

DIFFUSERS

- o 1/16" white acrylic

LAMPING

- o 2 x 22W Circline T5 fluorescent (2GX13)

BALLAST

- o electronic HPF, instant start

VOLTAGE

- o 120V

DIMENSIONS

- o 32.61" (l) x 18.25" (w) x 4.75" (h)

INSTALLATION

- o 4" octagonal "J"- Box
- o UL listed

oxygen

OXYGEN LIGHTING SUITE 900
580 BROADWAY, NEW YORK, NY 10012
TEL. (877) 607-0202 FAX (877) 607-0203

PROJECT: _____

DATE: _____