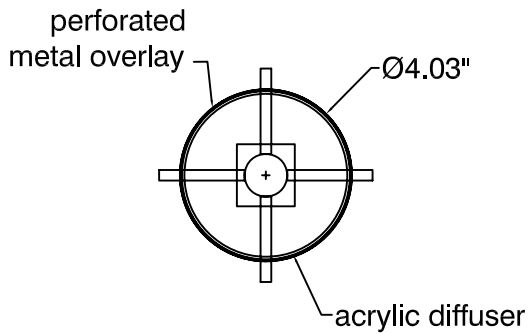
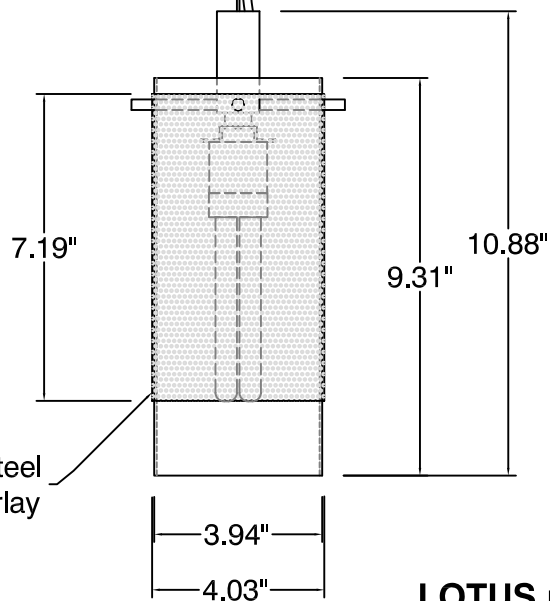


TOP VIEW (canopy)



TOP VIEW (diffuser)



**LOTUS pendant (modified)**  
**Oxygen CDX 570**

OXYGEN LIGHTING ©

METAL FINISHES

- o satin nickel

DIFFUSERS

- o white acrylic

LAMPING

- o 1-18W quad compact fluorescent

VOLTAGE

- o 120 V

DIMENSIONS

- o 4.03" Ø x 10.88" (h)
- o 8' cord and cable provided

INSTALLATION

- o 4" octagonal "J"- Box
- o UL Listed

BALLAST

- o HPF electronic instant start

**OXYGEN**

**OXYGEN LIGHTING** SUITE 900  
 580 BROADWAY, NEW YORK, NY 10012  
 TEL. (212) 219-2333 FAX (212) 219-0639

PROJECT: \_\_\_\_\_

DATE: \_\_\_\_\_