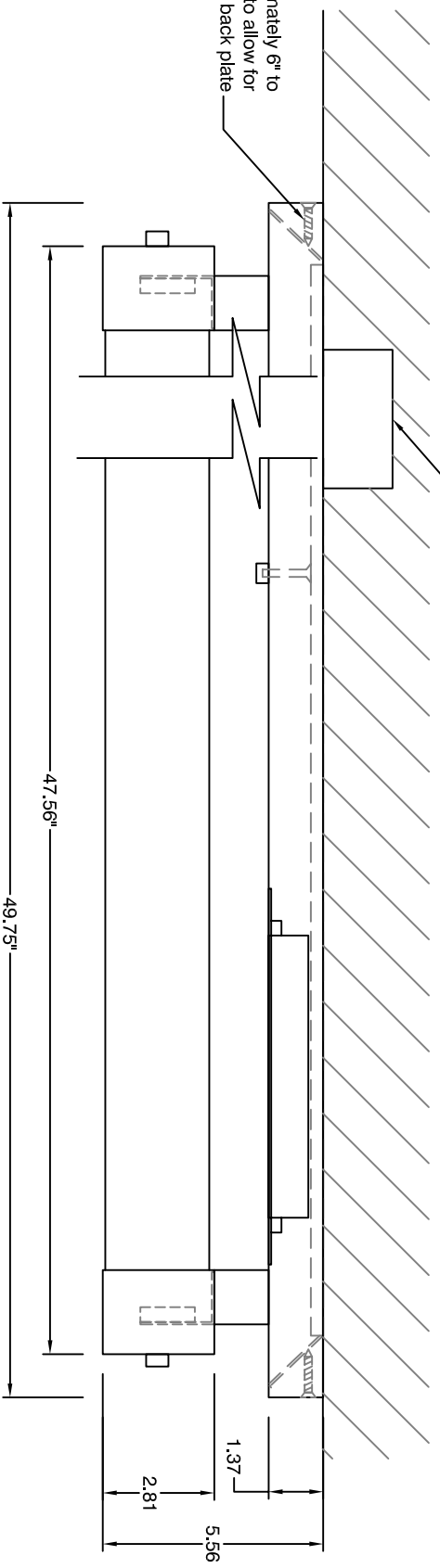
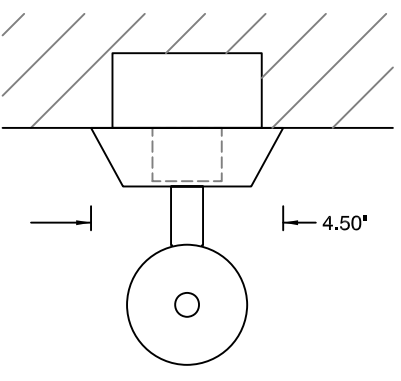


4" octagonal junction box (supplied by others)

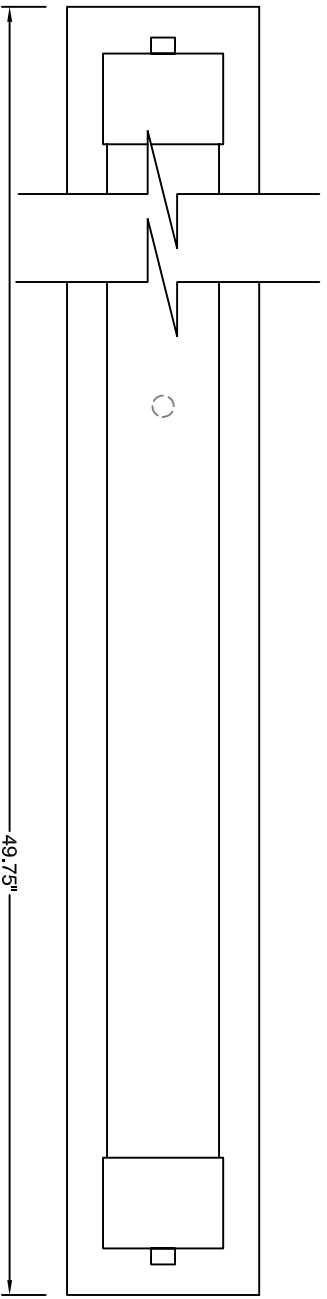
Note: allow approximately 6" to either end of fixture to allow for installation of back plate



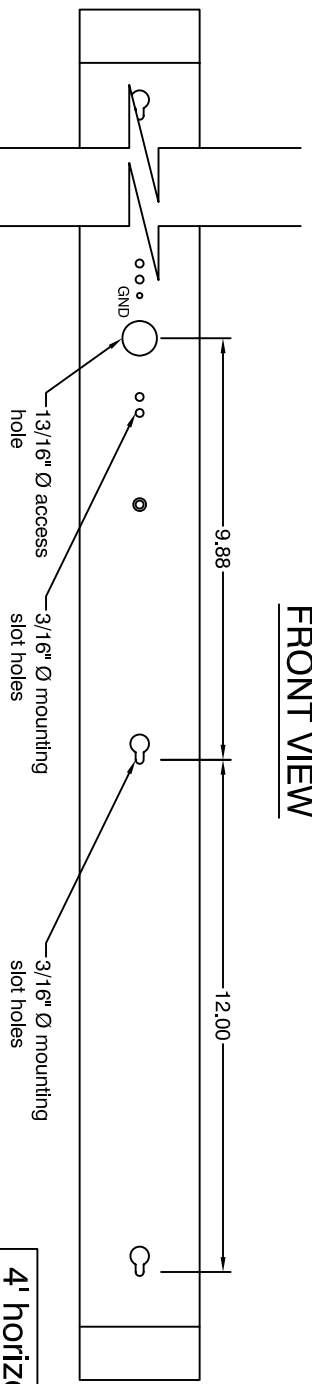
TOP VIEW



SIDE VIEW



FRONT VIEW



MOUNTING PLATE - FRONT VIEW

4" horizon T5HO vanity oxygen **CDX-536**

METAL FINISH

satin nickel

DIFFUSER

frosted acrylic

LAMPING

1-54W T5HO fluorescent

BALLAST

electronic HPF, instant start

VOLTAGE

120 V

DIMENSIONS

49.75" (w) x 4.5" (h) x 5.56 (d)

INSTALLATION

4" octagonal "J" Box
 UL Listed

oxygen

OXYGEN LIGHTING SUITE 900
580 BROADWAY, NEW YORK, NY 10012
TEL. (877) 607-0202 FAX (877) 607-0203

PROJECT: _____
DATE: _____