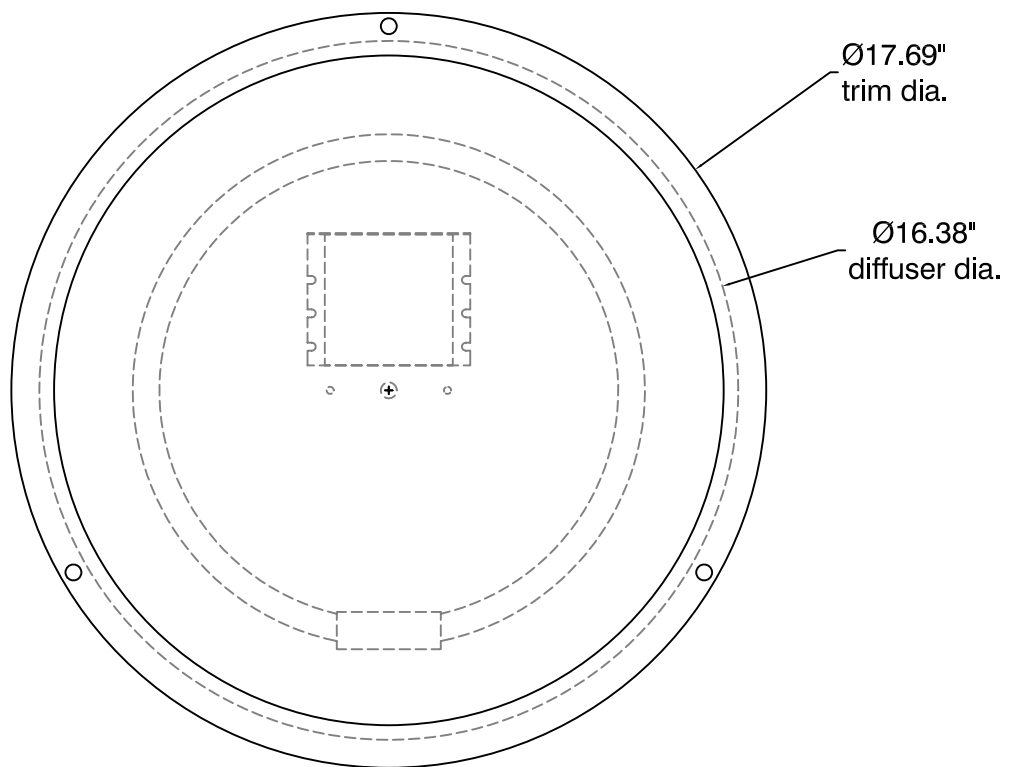


SIDE VIEW



BOTTOM VIEW

ORACLE ceiling mount
oxygen **CDX-524**

OXYGEN LIGHTING ©

METAL FINISHES

- o satin nickel

DIFFUSERS

- o white acrylic

CONSTRUCTION

- o formed steel trim.
- o steel back plate

LAMPING

- o 1-40W T5 circline fluorescent

BALLAST

- o HPF electronic, instant start

VOLTAGE

- o 120 V

DIMENSIONS

- o 17.69" diameter x 4.25" (h)

INSTALLATION

- o 4" octagonal "J"- Box
- o UL Listed

OXYGEN

OXYGEN LIGHTING SUITE 900
580 BROADWAY, NEW YORK, NY 10012
TEL. (212) 219-2333 FAX (212) 219-0639

PROJECT: _____

DATE: _____