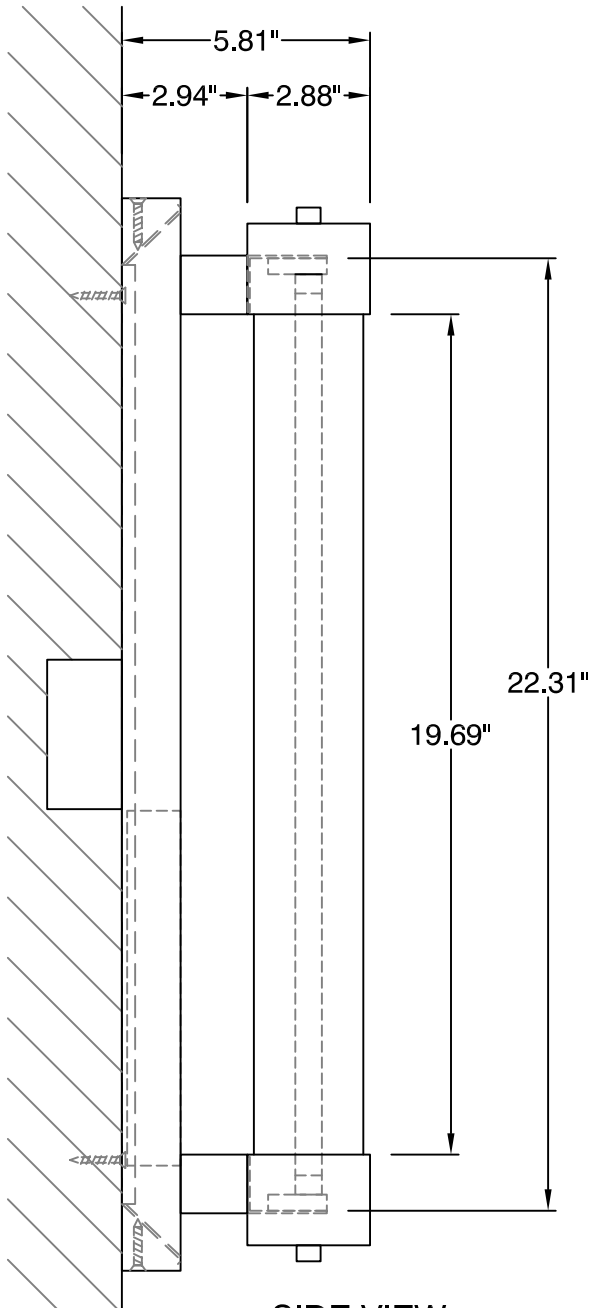
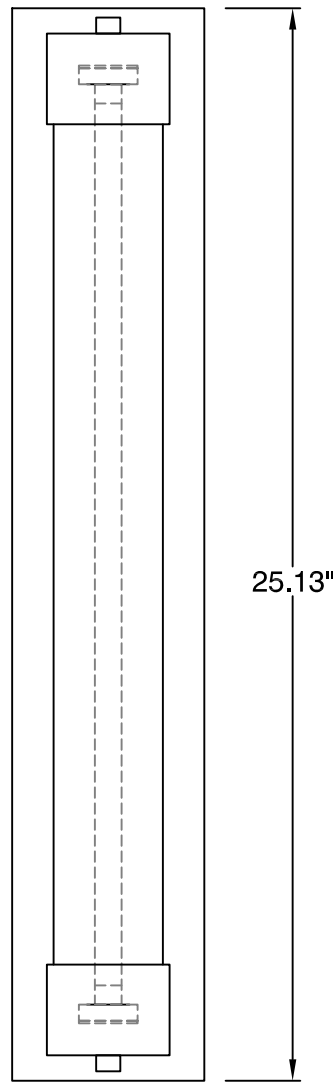


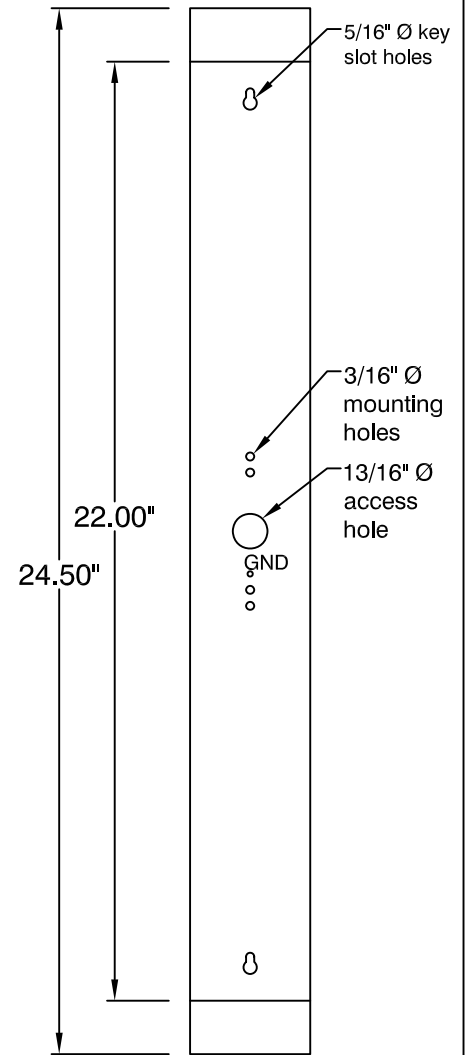
TOP VIEW



SIDE VIEW



FRONT VIEW



MOUNTING PLATE

oxygen **CDX-522**

METAL FINISH

o satin nickel

DIFFUSER

o white opal glass

LAMPING

o 1-24W T5HO linear fluorescent

VOLTAGE

o 120 V

DIMENSIONS

o 4.5" (w) x 25.13" (h)
5.81" ext. from wall

INSTALLATION

o 4" octagonal "J"- Box
o UL Listed
o vertical or horizontal mounting

BALLAST

o electronic HPF, instant start

oxygen

OXYGEN LIGHTING SUITE 900
580 BROADWAY, NEW YORK, NY 10012
TEL. (877) 607-0202 FAX (877) 607-0203

PROJECT: _____

DATE: _____