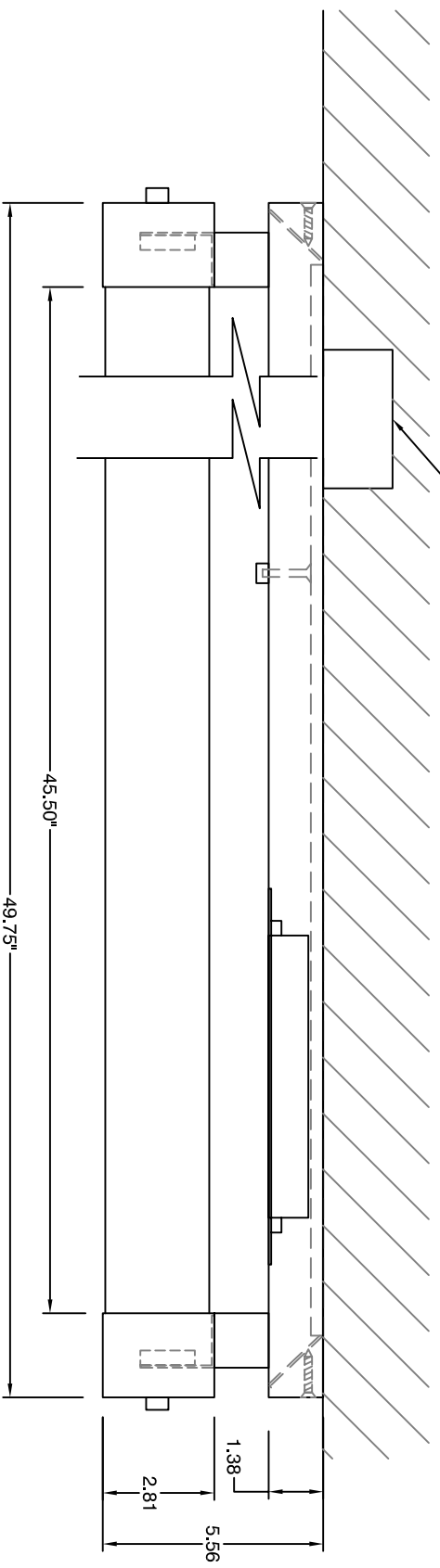
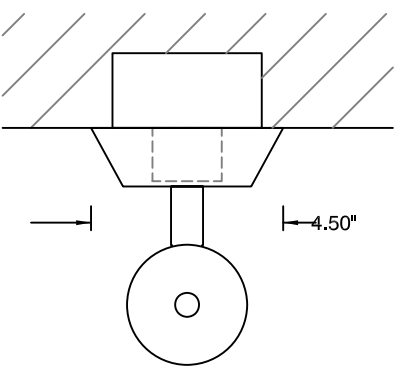


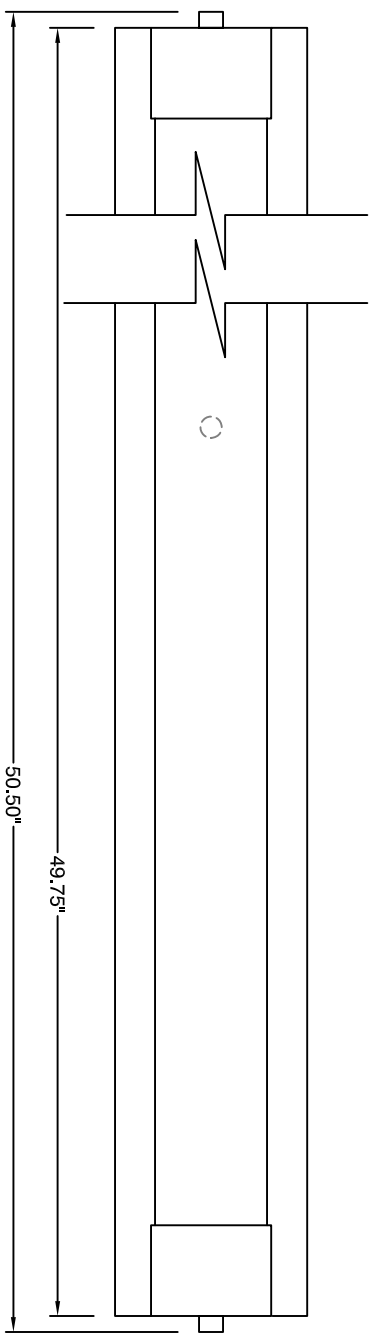
4" octagonal junction box (supplied by others)



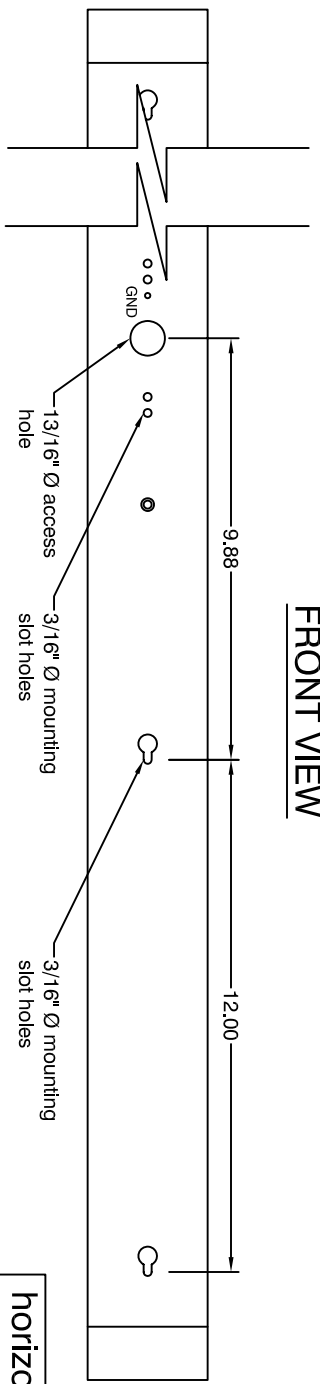
TOP VIEW



SIDE VIEW



FRONT VIEW



MOUNTING PLATE - FRONT VIEW

horizon vanity
oxygen **CDX-519**

METAL FINISH

satin nickel

DIFUSER

frosted acrylic

LAMPING

1-32W T8 fluorescent

BALLAST

Lutron Eco-10

VOLTAGE

120 V

DIMENSIONS

49.75" (w) x 4.5" (h) x 5.56 (d)

INSTALLATION

4" octagonal "J" Box
 UL Listed

oxygen

OXYGEN LIGHTING SUITE 900
580 BROADWAY, NEW YORK, NY 10012
TEL. (877) 607-0202 FAX (877) 607-0203

PROJECT: _____
DATE: _____