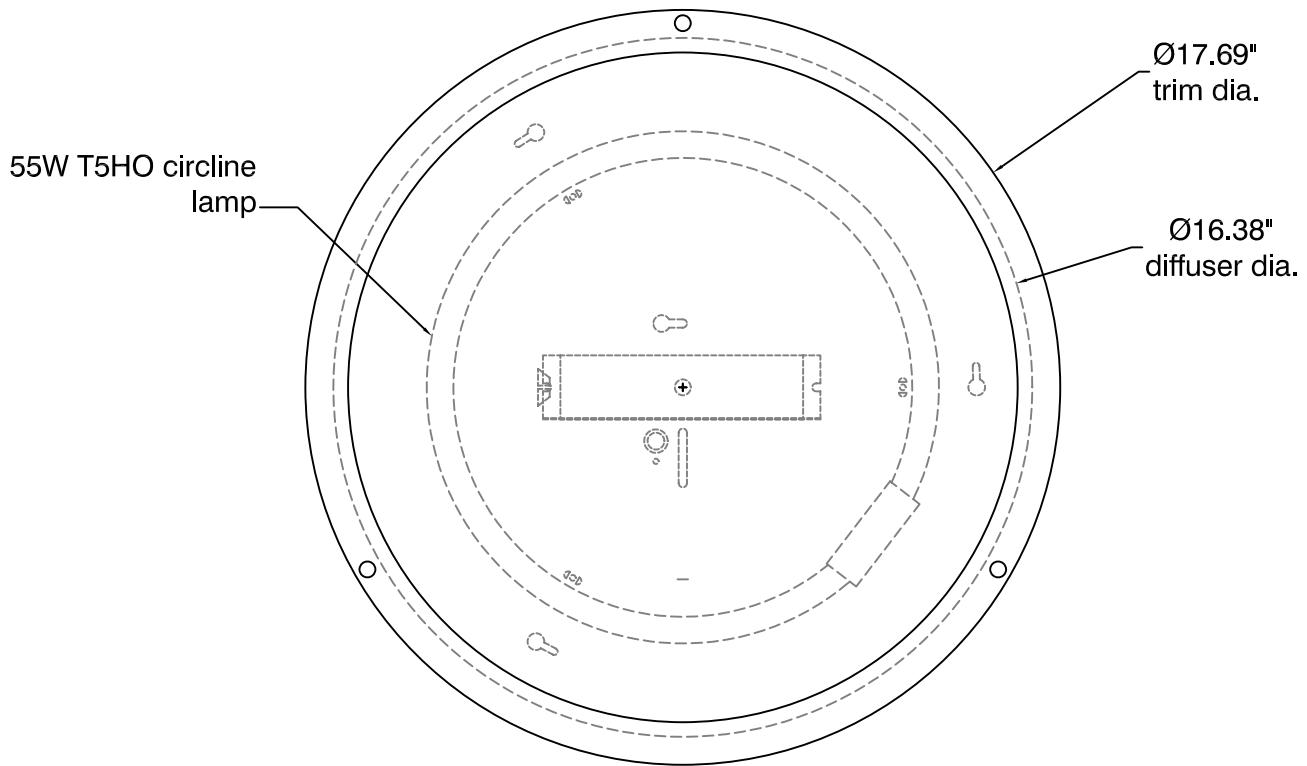


SIDE VIEW



BOTTOM VIEW

**ORACLE** ceiling mount  
oxygen **CDX-512**

METAL FINISH

o satin nickel

DIFFUSER

o matte white acrylic

CONSTRUCTION

o formed steel trim.  
o steel back plate

LAMPING

o 1-55W T5HO circline  
fluorescent

BALLAST

o electronic HPF, instant start

VOLTAGE

o 120 V

DIMENSIONS

o 17.69" diameter x 4.25" (h)

INSTALLATION

o 4" octagonal "J"- Box  
o UL Listed

**oxygen**

**OXYGEN LIGHTING** SUITE 900  
580 BROADWAY, NEW YORK, NY 10012  
TEL. (877) 607-0202 FAX (877) 607-0203

PROJECT: \_\_\_\_\_

DATE: \_\_\_\_\_