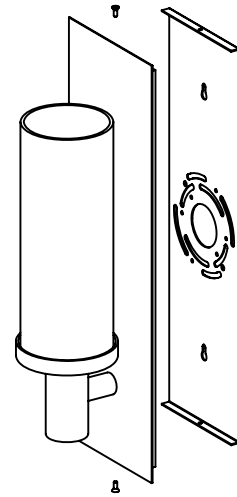
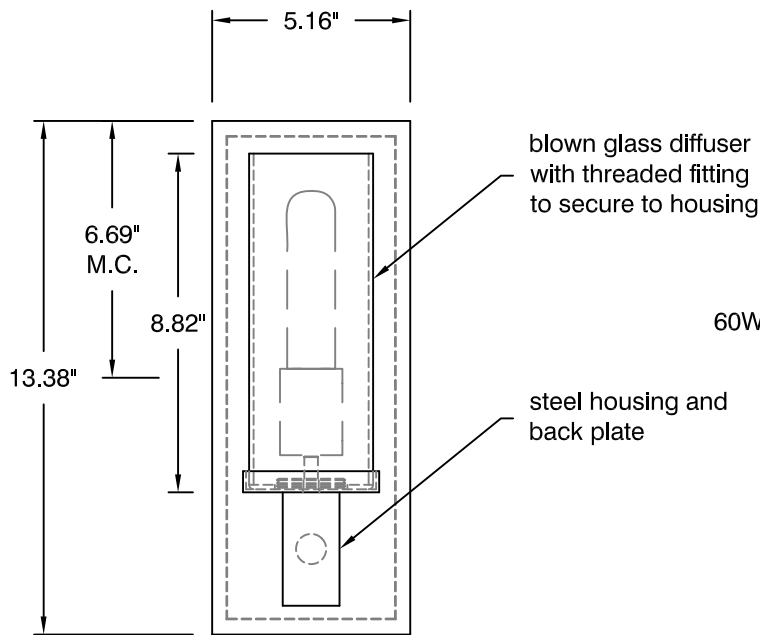


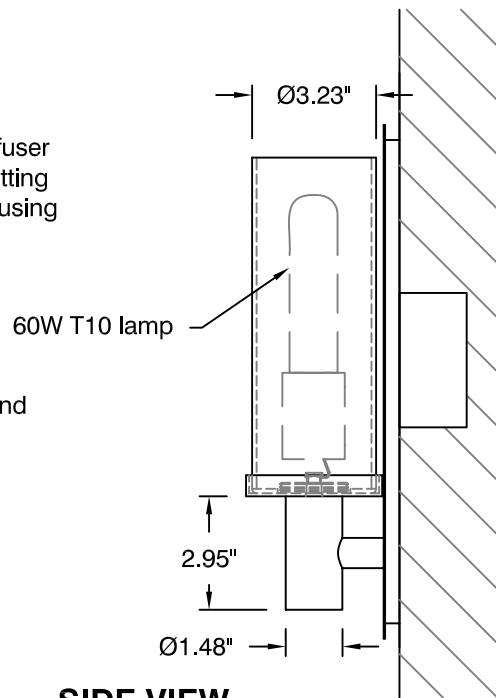
TOP VIEW



PERSPECTIVE



FRONT VIEW



SIDE VIEW

MANTRA sconce

oxygen 2-5115-xx

OXYGEN LIGHTING ©

METAL FINISHES

- o 14 - polished chrome
- o 24 - satin nickel

DIFFUSERS

- o white opal glass

VOLTAGE

- o 120V

DIMENSIONS

- o 5" (w) x 13.38" (h)
- o 4" ext. from wall

INSTALLATION

- o 4" octagonal "J"- Box
- o UL Damp Listed
- o ADA

LAMPING

- o 1x60W T10 medium base incandescent

Sample Catalog Number

Series # 2-5115 - **Finish** 24 = **Catalog number** 2-5115-24

oxygen

OXYGEN LIGHTING SUITE 900
580 BROADWAY, NEW YORK, NY 10012
TEL. (877) 607-0202 FAX (877) 607-0203

PROJECT: _____

DATE: _____