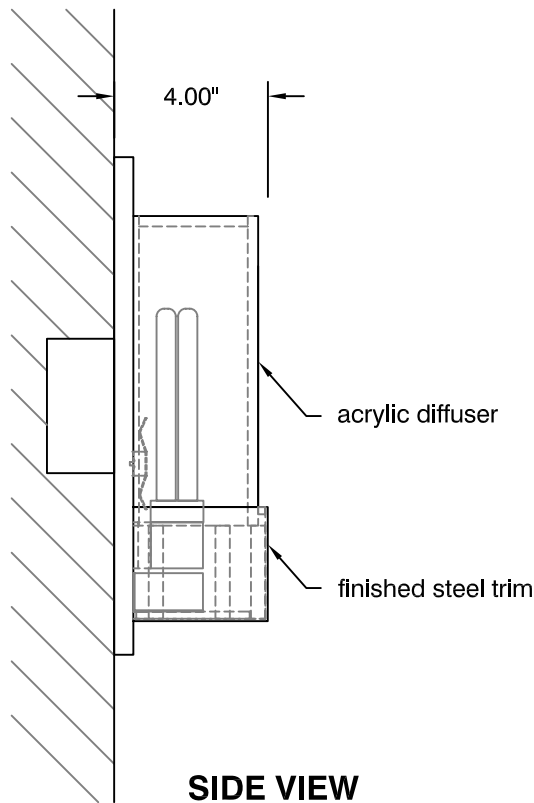
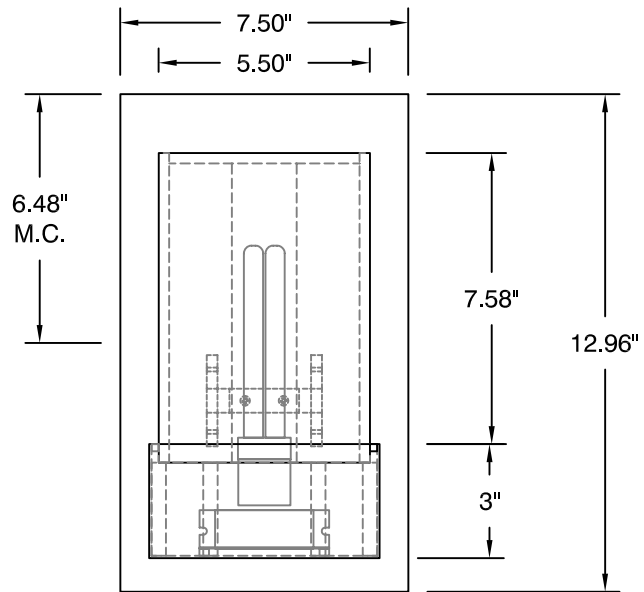


**TOP VIEW**



**SIDE VIEW**



**FRONT VIEW**

**PERSEUS** sconce  
oxygen **2-5114-24**

OXYGEN LIGHTING ©

**METAL FINISH**

- o 24 - satin nickel

**LAMPING**

- o 1x26W quad tube compact fluorescent (G24q-3) (recommend using lamps with End Of Life protection)

**VOLTAGE**

- o 120V

**DIMENSIONS**

- o 7.5" (w) x 13" (h) 4" ext. from wall

**INSTALLATION**

- o 4" octagonal "J"- Box
- o UL damp listed
- o ADA

**DIFFUSER**

- o matte white acrylic with closed top

**BALLAST**

- o electronic, HPF instant start

**Sample Catalog Number**

Series #	Finish	Catalog number
2-5114	- 24	= 2-5114-24

**oxygen**

**OXYGEN LIGHTING** SUITE 900  
580 BROADWAY, NEW YORK, NY 10012  
TEL. (877) 607-0202 FAX (877) 607-0203

PROJECT: \_\_\_\_\_

DATE: \_\_\_\_\_