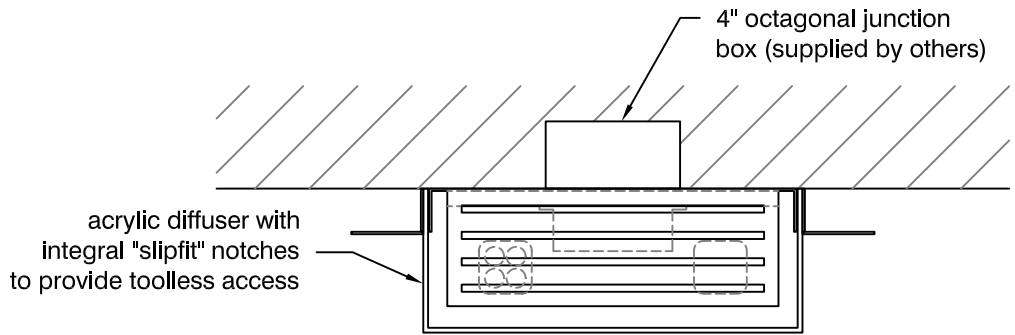
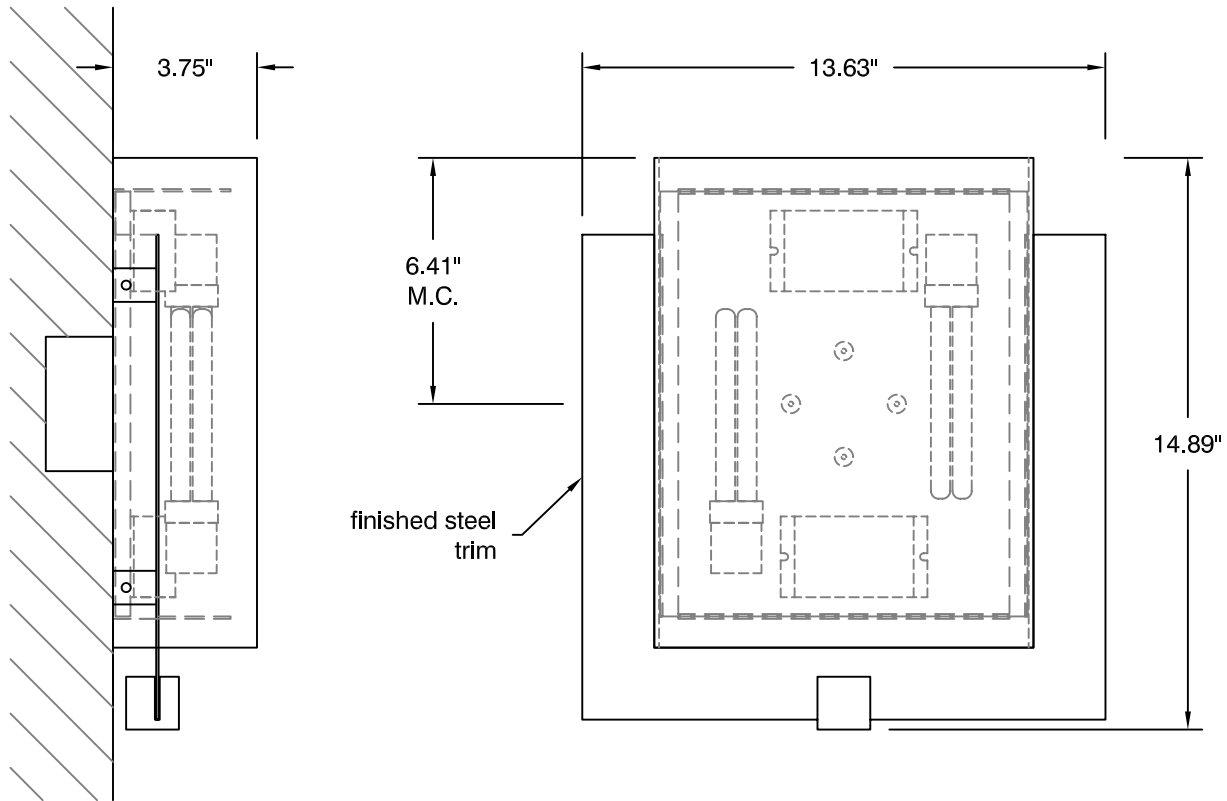


Note: finish in image may not match item specified



**TOP VIEW**



**SIDE VIEW**

**FRONT VIEW**

**PATHWAYS** sconce  
oxygen **2-5113-24**

OXYGEN LIGHTING ©

**DIFFUSER**

- o matte white acrylic

**METAL FINISH**

- o satin nickel

**LAMPING**

- o 2x26W quad tube compact fluorescent (G24q-3)

**DIMENSIONS**

- o 13.63" (w) x 14.89" (h)
- o 3.75" ext. from wall

**INSTALLATION**

- o 4" octagonal "J"- Box
- o UL damp listed
- o ADA

**BALLAST**

- o electronic, NPF rapid start

**VOLTAGE**

- o 120V

**oxygen**

**OXYGEN LIGHTING** SUITE 900  
580 BROADWAY, NEW YORK, NY 10012  
TEL. (877) 607-0202 FAX (877) 607-0203

PROJECT: \_\_\_\_\_

DATE: \_\_\_\_\_