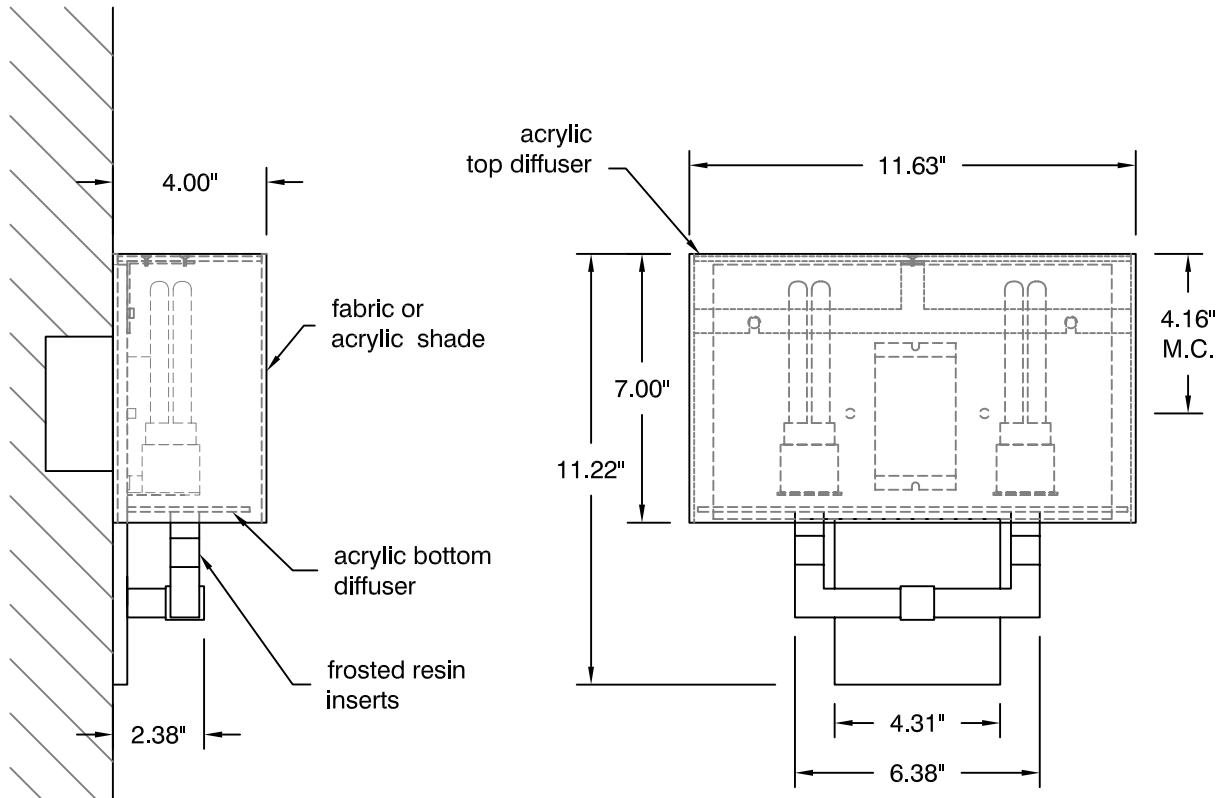


TOP VIEW



SIDE VIEW

FRONT VIEW

CHAMELEON sconce
oxygen **2-5111-xxx**

OXYGEN LIGHTING ©

| LAMPING | DIFFUSERS | METAL FINISHES | VOLTAGE | DIMENSIONS | INSTALLATION |
|---|--|---|---------|---|--|
| o 2x13W quad tube 4-pin fluorescent (G24q-1) | o 1 - white cotton shade o 2 - 1/8" matte white acrylic | o 14 - polished chrome o 24 - satin nickel | o 120V | o 11.63" (w) x 11.22" (h) 4" ext. from wall | o 4" octagonal "J"- Box o UL approved for damp locations o ADA |

BALLAST
o electronic, NPF rapid start

Sample Catalog Number

| Series # | Diffuser | Finish | Catalog number |
|----------|----------|--------|----------------|
| 2-5111 | - 1 | 24 | = 2-5111-124 |



OXYGEN LIGHTING SUITE 900
580 BROADWAY, NEW YORK, NY 10012
TEL. (877) 607-0202 FAX (877) 607-0203

PROJECT: _____
DATE: _____