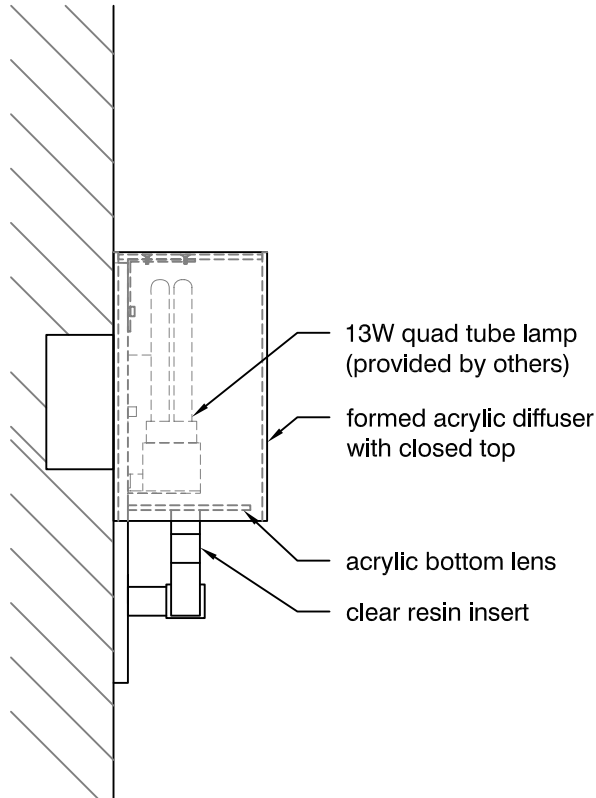
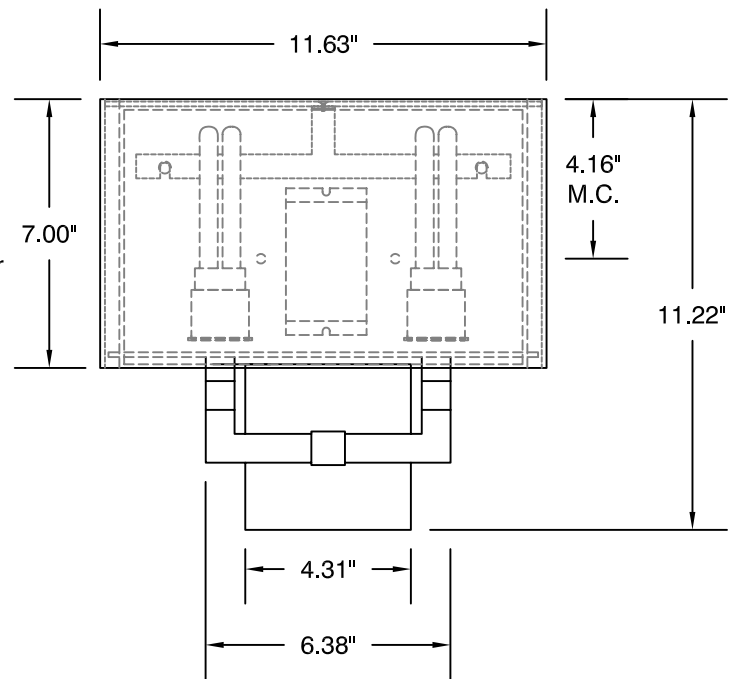


**TOP VIEW**



**SIDE VIEW**



**FRONT VIEW**



OXYGEN LIGHTING ©

**CHAMELEON** sconce  
oxygen **2-5111-2XX**

<u>LAMPING</u>	<u>DIFFUSERS</u>	<u>METAL FINISHES</u>	<u>VOLTAGE</u>	<u>DIMENSIONS</u>	<u>INSTALLATION</u>
o 2 x 13W quad tube 4-pin fluorescent (G24q-1)	o 1/8" matte white acrylic	o 14 - polished chrome 24 - satin nickel	o 120V	o 11.63" (w) 11.22" (h) 4" extension	o 4" octagonal "J"- Box o UL approved for damp locations
<b><u>BALLAST</u></b>	o electronic, NPF rapid start				

**oxygen**

**OXYGEN LIGHTING** SUITE 900  
580 BROADWAY, NEW YORK, NY 10012  
TEL. (877) 607-0202 FAX (877) 607-0203

PROJECT: \_\_\_\_\_  
DATE: \_\_\_\_\_