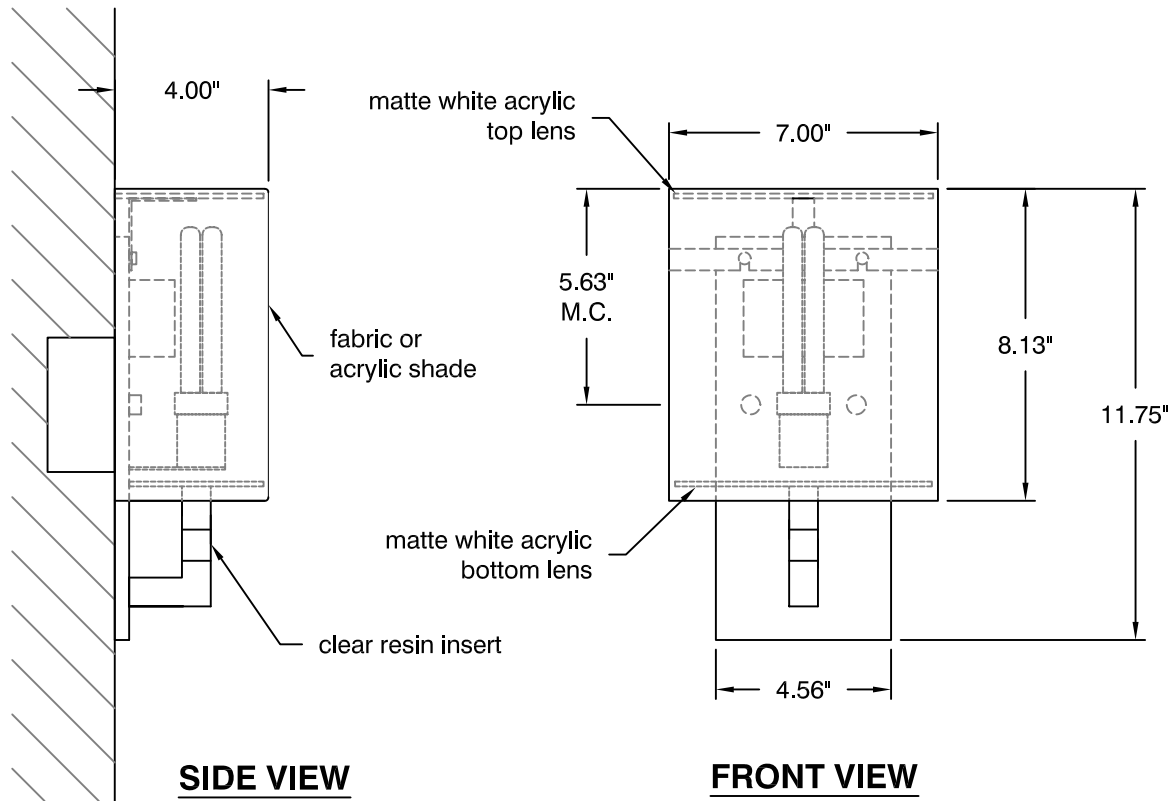


TOP VIEW



SIDE VIEW

FRONT VIEW

CHAMELEON sconce
oxygen **2-5110-xxx**

OXYGEN LIGHTING ©

LAMPING

- o 1x26W quad tube cfl (G24q-3)

DIFFUSER

- o 1 - white fabric shade
- o 2 - 1/8" matte white acrylic

METAL FINISH

- o 24 - satin nickel
- o 14 - polished chrome

DIMENSIONS

- o 7" (w) x 11.75" (h)
- o 4.0" ext. from wall

INSTALLATION

- o 4" octagonal "J"- Box
- o UL Damp Listed
- o ADA

VOLTAGE

- o 120V

BALLAST

- o electronic, NPF rapid start

Sample Catalog Number

Series #	Diffuser	Finish	Catalog number
2-5110	- 1	24	= 2-5110-124

oxygen

OXYGEN LIGHTING SUITE 900
580 BROADWAY, NEW YORK, NY 10012
TEL. (877) 607-0202 FAX (877) 607-0203

PROJECT: _____

DATE: _____