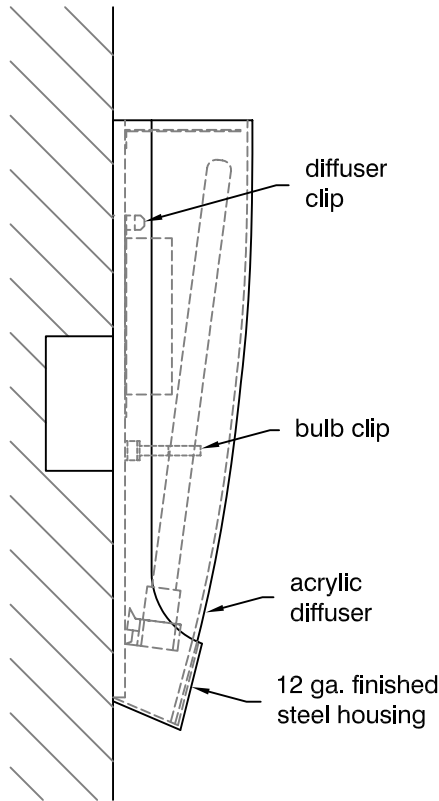
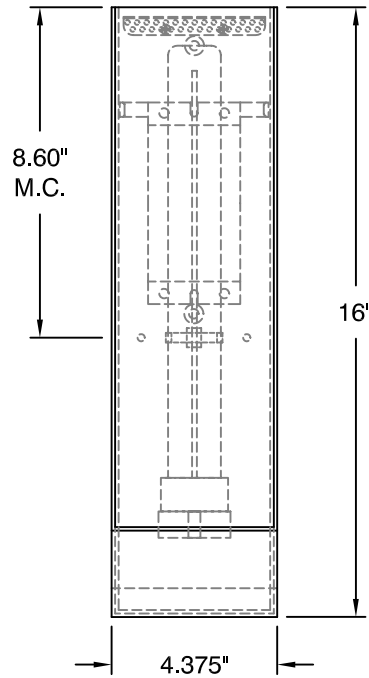


**TOP VIEW**



**SIDE VIEW**



**FRONT VIEW**

**APOLLO** sconce  
oxygen **2-5107-xx**

OXYGEN LIGHTING ©

<u>LAMPING</u>	<u>DIFFUSER</u>	<u>METAL FINISHES</u>	<u>DIMENSIONS</u>	<u>INSTALLATION</u>
o 1x24W long twin tube compact fluorescent (2G11)	o matte white acrylic	o 24 - satin nickel o 14 - polished chrome	o 4.375" (w) x 16" (h) o 3.75" ext. from wall	o 4" octagonal "J"- Box o UL Damp Listed o ADA

**VOLTAGE**  
o 120/277V

**BALLAST**  
o universal voltage, electronic HPF programmed start

**Sample Catalog Number**

<u>Series #</u> 2-5107	-	<u>Finish</u> 24	=	<u>Catalog number</u> 2-5107-24
---------------------------	---	---------------------	---	------------------------------------

**oxygen**

**OXYGEN LIGHTING** SUITE 900  
580 BROADWAY, NEW YORK, NY 10012  
TEL. (877) 607-0202 FAX (877) 607-0203

PROJECT: \_\_\_\_\_  
DATE: \_\_\_\_\_