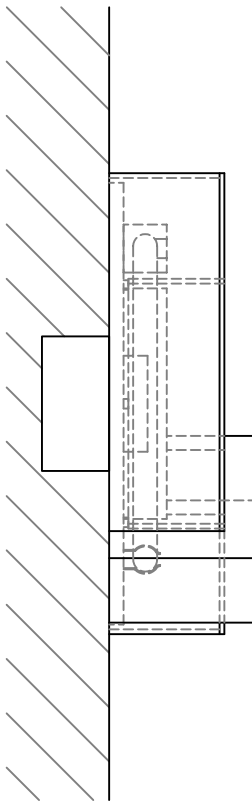
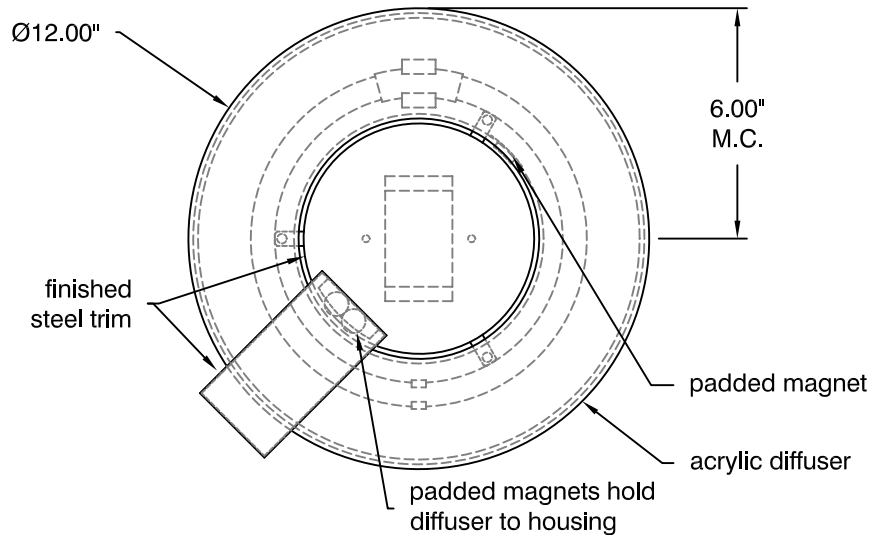


TOP VIEW



SIDE VIEW



FRONT VIEW

HALO scone
oxygen **2-5103-24**

OXYGEN LIGHTING ©

LAMPING

- o 1x22W circline T5 4-pin fluorescent (recommend using lamps with End Of Life protection)

DIFFUSER

- o matte white acrylic

METAL FINISHES

- o 24 - satin nickel

DIMENSIONS

- o 12" Ø x 3.75" (d)

INSTALLATION

- o 4" octagonal "J"- Box
- o UL Damp Listed
- o ADA

VOLTAGE

- o 120V

BALLAST

- o electronic, HPF instant start

Sample Catalog Number

Series #	Finish	Catalog number
2-5103	- 24	= 2-5103-24

oxygen

OXYGEN LIGHTING SUITE 900
580 BROADWAY, NEW YORK, NY 10012
TEL. (877) 607-0202 FAX (877) 607-0203

PROJECT: _____

DATE: _____