



itl boulder

THE LIGHT CENTER OF THE INDUSTRY SINCE 1955

INDEPENDENT TESTING LABORATORIES, INC.
3386 LONGHORN ROAD, BOULDER, CO 80302 USA

PHONE: (303)442-1255 • FAX: (303)449-5274 • E-MAIL: itl@itlboulder.com • WEBSITE: www.itlboulder.com
DATE: 06/17/08

REPORT NUMBER: ITL60501
PREPARED FOR: OXYGEN LIGHTING
CATALOG NUMBER: 2-598-124

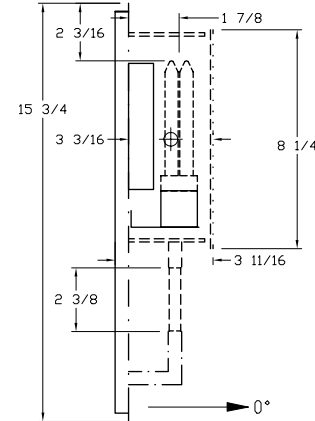
LUMINAIRE: FABRICATED SEMI-DIFFUSE METAL MOUNTING PLATE/REFLECTOR,
FABRICATED SEMI-DIFFUSE METAL SUPPORT ARM WITH CLEAR FROSTED
PLASTIC INSERT, FORMED WHITE PAINTED METAL SOCKET MOUNTING
BRACKET, FABRICATED WHITE PAINTED METAL
FRAME ASSEMBLY WITH TRANSLUCENT WHITE
PLASTIC DIFFUSER AND WHITE CLOTH
COVERED EXTERIOR, FLAT TRANSLUCENT
WHITE PLASTIC TOP AND BOTTOM CAP.
BALLAST IS EXPOSED AND CENTERED IN
OPTICAL COMPARTMENT.

LAMP: ONE 18-WATT TWIN TUBE COMPACT FLUORESCENT,
SYLVANIA CF18DD/E/827,
VERTICAL BASE-DOWN POSITION.

BALLAST: FULHAM WH2-120-L

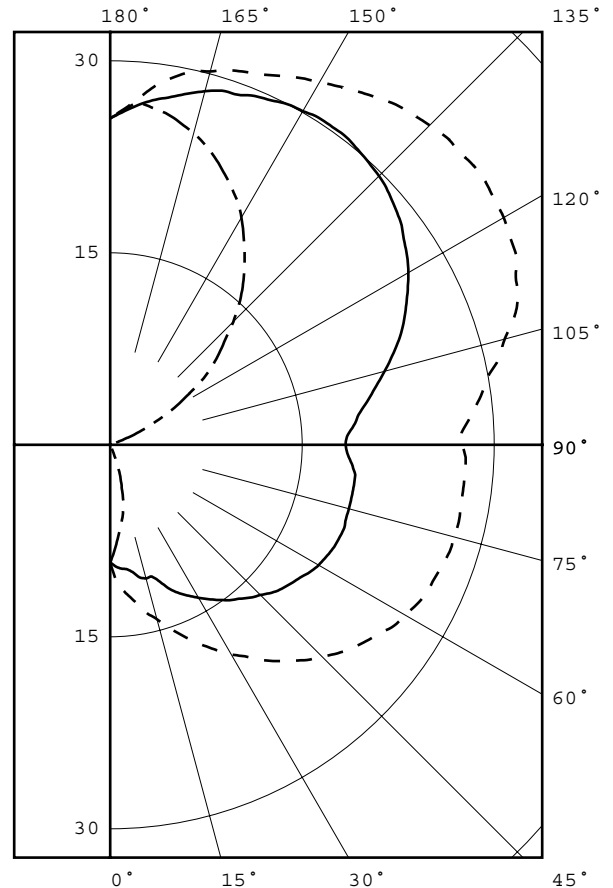
MOUNTING: WALL

TOTAL INPUT WATTS = 20.0 AT 120.0 VOLTS
REPORT IS BASED ON 1250 LUMENS PER LAMP.



CANDELA DISTRIBUTION

	0.0	45.0	90.0	135.0	180.0	FLUX
0	9.2	9.2	9.2	9.2	9.2	1.0
5	11.4	11.2	9.7	8.7	7.2	3.0
15	14.1	13.4	10.8	6.8	3.5	5.0
25	17.3	16.3	12.8	5.9	0.0	8.0
35	20.5	19.5	14.8	6.4	0.0	11.0
45	23.4	22.6	16.6	7.5	0.0	15.0
55	25.7	25.4	18.1	8.6	0.0	17.0
65	27.3	27.7	19.2	9.5	0.0	19.0
75	27.8	28.8	19.3	10.0	0.0	20.0
85	27.8	29.0	19.0	10.1	0.0	20.0
90	27.6	28.7	18.5	10.0	0.0	20.0
95	28.4	29.2	19.2	10.2	0.0	22.0
105	31.9	32.5	22.2	10.9	0.0	23.0
115	35.0	34.6	25.5	14.3	3.0	23.0
125	35.8	35.3	28.0	17.7	8.7	21.0
135	35.3	35.0	29.7	20.9	13.6	18.0
145	33.7	33.9	30.3	23.9	18.3	14.0
155	31.8	33.5	29.7	26.2	22.3	8.0
165	30.2	31.9	28.6	27.8	25.2	3.0
175	27.3	27.5	26.7	27.8	26.8	
180	25.5	25.5	25.5	25.5	25.5	



LEGEND:
0-deg: - - - - -
90-deg: _____
180-deg: - - - - -

ZONAL LUMEN SUMMARY

ZONE	LUMENS	%LAMP	%FIXT
0- 30	8.9	0.7	3.5
0- 40	16.9	1.4	6.7
0- 60	42.9	3.4	17.0
0- 90	99.3	7.9	39.4
90-120	65.4	5.2	26.0
90-130	88.6	7.1	35.2
90-150	128.1	10.2	50.9
90-180	152.5	12.2	60.6
0-180	251.8	20.1	100.0

TOTAL LUMINAIRE EFFICIENCY = 20.1 %

CIE TYPE - SEMI-INDIRECT

Checked N.WHITE

Approved R.BEATTIE



INDEPENDENT TESTING LABORATORIES, INC.
 3386 LONGHORN ROAD, BOULDER, CO 80302 USA

PHONE: (303)442-1255 • FAX: (303)449-5274 • E-MAIL: itl@itlboulder.com • WEBSITE: www.itlboulder.com

REPORT NUMBER: ITL60501
 PREPARED FOR: OXYGEN LIGHTING

DATE: 06/17/08

CANDELA DISTRIBUTION

	0.0	22.5	45.0	67.5	90.0	112.5	135.0	157.5	180.0
0.0	9.2	9.2	9.2	9.2	9.2	9.2	9.2	9.2	9.2
5.0	11.4	11.3	11.2	10.7	9.7	9.8	8.7	8.2	7.2
10.0	12.7	12.5	12.3	11.3	10.1	9.3	7.7	6.6	5.6
15.0	14.1	14.0	13.4	12.4	10.8	9.5	6.8	4.8	3.5
20.0	15.7	15.6	15.0	13.2	11.4	9.2	6.3	3.2	1.6
25.0	17.3	17.3	16.3	14.8	12.8	9.9	5.9	1.9	0.0
30.0	18.9	18.9	17.8	16.1	13.8	10.4	6.1	1.5	0.0
35.0	20.5	20.5	19.5	17.3	14.8	11.3	6.4	1.7	0.0
40.0	22.0	22.2	21.0	18.6	15.7	12.1	6.9	1.8	0.0
45.0	23.4	23.7	22.6	19.8	16.6	13.1	7.5	2.0	0.0
50.0	24.7	25.2	24.1	20.9	17.5	13.9	8.0	2.2	0.0
55.0	25.7	26.5	25.4	22.0	18.1	14.5	8.6	2.3	0.0
60.0	26.6	27.7	26.6	22.9	18.8	15.2	9.1	2.6	0.0
65.0	27.3	28.6	27.7	23.6	19.2	15.6	9.5	2.7	0.0
70.0	27.6	29.2	28.3	24.1	19.4	16.0	9.8	2.7	0.0
75.0	27.8	29.6	28.8	24.3	19.3	16.2	10.0	3.0	0.0
80.0	27.8	29.9	29.1	24.6	19.3	16.2	10.1	3.0	0.0
85.0	27.8	29.8	29.0	24.5	19.0	16.1	10.1	3.0	0.0
90.0	27.6	29.6	28.7	24.0	18.5	15.8	10.0	3.0	0.0
95.0	28.4	30.4	29.2	24.8	19.2	16.8	10.2	3.0	0.0
100.0	29.9	32.1	30.7	26.2	20.5	17.7	10.6	3.0	0.0
105.0	31.9	34.0	32.5	27.9	22.2	18.9	10.9	3.0	0.0
110.0	33.9	35.2	33.7	29.3	24.0	20.3	12.4	4.3	0.2
115.0	35.0	36.1	34.6	30.3	25.5	21.8	14.3	6.7	3.0
120.0	35.5	36.5	35.1	31.2	26.9	23.1	16.0	9.2	5.8
125.0	35.8	36.6	35.3	31.8	28.0	24.4	17.7	11.6	8.7
130.0	35.6	36.4	35.2	32.2	29.0	25.6	19.3	14.0	11.1
135.0	35.3	36.0	35.0	32.6	29.7	26.6	20.9	16.2	13.6
140.0	34.7	35.3	34.5	33.0	30.1	27.4	22.5	18.5	16.1
145.0	33.7	34.5	33.9	33.0	30.3	28.1	23.9	20.4	18.3
150.0	32.7	33.5	33.5	32.9	30.1	28.6	25.2	22.2	20.5
155.0	31.8	32.7	33.5	32.2	29.7	29.0	26.2	23.9	22.3
160.0	31.0	32.2	33.1	31.2	29.1	29.3	27.2	25.4	23.9
165.0	30.2	31.2	31.9	30.1	28.6	29.2	27.8	26.5	25.2
170.0	29.2	29.6	29.8	28.3	27.6	28.6	28.0	27.2	26.2
175.0	27.3	27.0	27.5	27.0	26.7	26.6	27.8	27.4	26.8
180.0	25.5	25.5	25.5	25.5	25.5	25.5	25.5	25.5	25.5



INDEPENDENT TESTING LABORATORIES, INC.
3386 LONGHORN ROAD, BOULDER, CO 80302 USA

PHONE: (303)442-1255 • FAX: (303)449-5274 • E-MAIL: itl@itlboulder.com • WEBSITE: www.itlboulder.com

REPORT NUMBER: ITL60501
PREPARED FOR: OXYGEN LIGHTING

DATE: 06/17/08

ZONAL LUMEN SUMMARY

0- 5	0.
5- 10	1.
10- 15	1.
15- 20	2.
20- 25	2.
25- 30	3.
30- 35	4.
35- 40	4.
40- 45	5.
45- 50	6.
50- 55	7.
55- 60	8.
60- 65	8.
65- 70	9.
70- 75	9.
75- 80	10.
80- 85	10.
85- 90	10.
90- 95	10.
95-100	10.
100-105	11.
105-110	11.
110-115	12.
115-120	12.
120-125	12.
125-130	12.
130-135	11.
135-140	10.
140-145	10.
145-150	9.
150-155	7.
155-160	6.
160-165	5.
165-170	3.
170-175	2.
175-180	1.



INDEPENDENT TESTING LABORATORIES, INC.
 3386 LONGHORN ROAD, BOULDER, CO 80302 USA

PHONE: (303)442-1255 • FAX: (303)449-5274 • E-MAIL: itl@itlboulder.com • WEBSITE: www.itlboulder.com

REPORT NUMBER: ITL60501

DATE: 06/17/08

PREPARED FOR: OXYGEN LIGHTING

COEFFICIENTS OF UTILIZATION - ZONAL CAVITY METHOD

EFFECTIVE FLOOR CAVITY REFLECTANCE 0.20

RC	80				70				50			30			10			0
	RW	70	50	30	10	70	50	30	10	50	30	10	50	30	10	50	30	10
0	21	21	21	21	19	19	19	19	16	16	16	12	12	12	9	9	9	8
1	18	17	16	15	17	16	15	14	12	12	11	10	9	9	7	7	6	5
2	16	15	13	12	15	13	12	11	10	9	9	8	7	7	6	5	5	4
3	15	13	11	9	13	11	10	9	9	8	7	7	6	5	5	4	4	3
4	13	11	9	8	12	10	8	7	8	7	6	6	5	4	4	3	3	2
5	12	10	8	6	11	9	7	6	7	6	5	5	4	4	4	3	2	2
6	11	9	7	5	10	8	6	5	6	5	4	5	4	3	3	3	2	1
7	10	8	6	5	9	7	5	4	5	4	3	4	3	3	3	2	2	1
8	10	7	5	4	9	6	5	4	5	4	3	4	3	2	3	2	2	1
9	9	6	5	4	8	6	4	3	5	3	3	3	3	2	2	2	1	1
10	8	6	4	3	7	5	4	3	4	3	2	3	2	2	2	2	1	1

ALL CANDELA, LUMENS, LUMINANCE, COEFFICIENT OF UTILIZATION AND VCP VALUES IN THIS REPORT ARE BASED ON RELATIVE PHOTOMETRY WHICH ASSUMES A BALLAST FACTOR OF 1.000. ANY CALCULATIONS PREPARED FROM THESE DATA SHOULD INCLUDE AN APPROPRIATE BALLAST FACTOR.

NOTE: THE ZONAL CAVITY CALCULATION TECHNIQUE IS ACCURATE WHEN LUMINAIRES WITH SYMMETRIC CANDELA DISTRIBUTIONS ARE EMPLOYED AND WHEN THE LUMINAIRES ARE LOCATED SYMMETRICALLY THROUGHOUT THE ROOM. THIS UNIT HAS SPECIAL CHARACTERISTICS AND THEREFORE THESE COEFFICIENTS SHOULD BE USED WITH CAUTION.